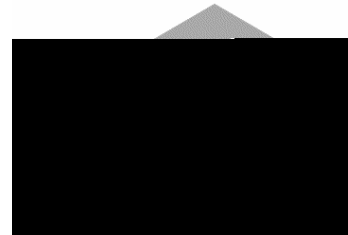


1.8" Single Digit Common Anode Configuration

VP T51AG

Main Features:

- Low Power Consumption
- High Efficiency Chips Material
- Excellent Character Appearance
- Long Life Solid State Reliability
- Common Anode configuration
- Gray color surface reflector with white diffuse segments




Applications

- Industry equipment
- Instruments panels
- Counter equipment



Electronic Optical Characteristics (@ 10mA):

Part Number	Emitted Color	nm		Surface Color	mcd (Per segment)		VF	
		λd	λp		Min.	Typ.	Typ.	Max.
VP T51AG	Yellow Green 	573	575	Gray	5.6	18.0	2.0	2.4

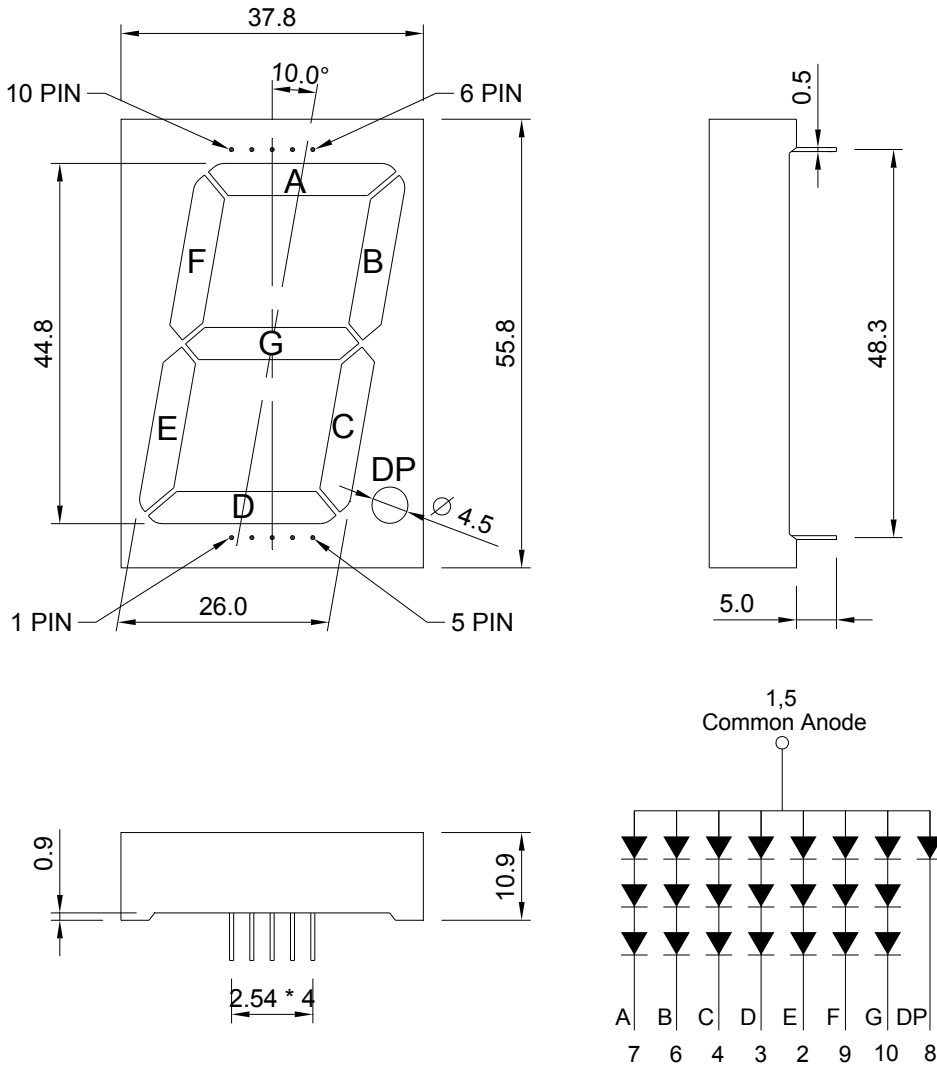
Absolute Maximum Ratings (@ Ta=25°C)

Emitted Color	P _D (mW)	ESD(V)	I _F (mA)	T _{sol} (°C)	I _R (uA)@V _R =5V	T _{opr} (°C)	T _{stg} (°C)
Yellow Green	60	2000	25	260±5	10	-40~+85	-40~+100

Note: Please take note the Absolute Maximum Rating values. Any operation beyond the specified ratings in this table will result degradation of LED life-span and may cause LED to fail.

Package Dimension:

unit: mm


Notes:

1. All dimensions are millimeters.
2. Dimensional tolerance is +/- 0.2mm unless otherwise specified.
3. Specifications are subject to change without notice.

Optical Characteristics Curves

