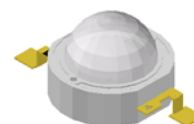


## High Power LED 1 Watt 350mA

### VH 89R10

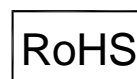
#### Description

These series high brightness Orange emitting LEDs are made from the most efficient in High driving current. The typical luminous flux output is 60lm and Thermal resistance (junction to lead frame) is limit 12 °C/W. The product itself remains with RoHS compliant.




#### Applications

- Exterior and interior automotive illumination
- Commercial lighting
- Back lighting
- Traffic signaling
- Reading Light
- Commercial outdoor advertising signs



#### Electronic Optical Characteristics (at 350mA):

Part Number	Emitted Color	$\lambda d$ (nm)		Lens Color	$\Phi v$ (lm)		$\theta$ (2 $\theta$ 1/2)	VF(V)	
		Min.	Max.		Min.	Typ.		Min.	Max.
VH 89R10	Orange 	600	610	Clear	50	60	120	1.8	2.6

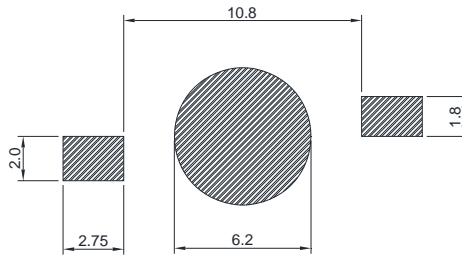
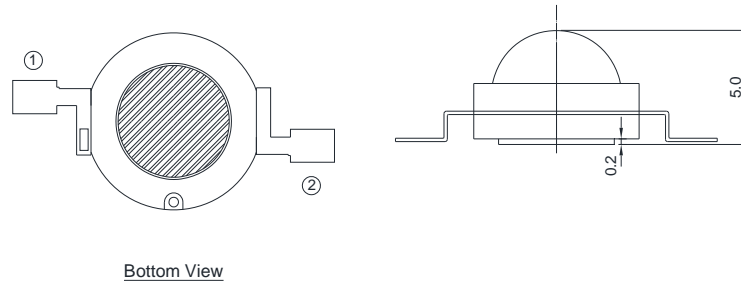
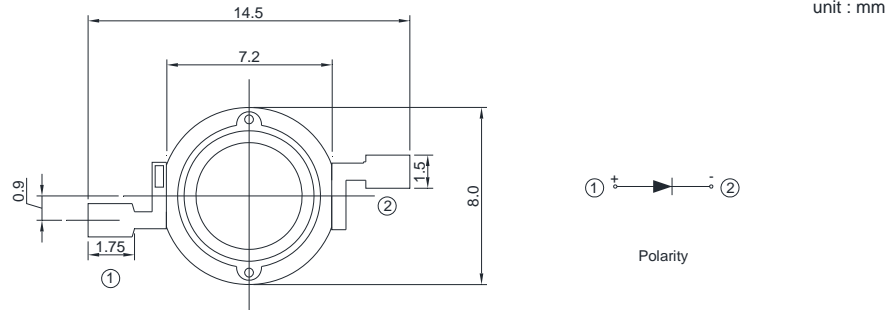
#### Absolute Maximum Ratings(at Ta=25°C)

$P_D$ (W)	$R_{th}$ (°C/W)	IF(mA)	IFP(mA)	Tj(°C)	Topr(°C)	Tstg(°C)
1.0	12	350	1000	115	-40~+100	-40~+100

Note: Please take note the Absolute Maximum Rating values. Any operation beyond the specified ratings in this table will result degradation of LED life-span and may cause LED to fail.

\* IFP: Peak Forward Current under 0.25 duty,  $t_p \leq 100 \mu\text{sec}$

**Package Dimension:**



Recommended Soldering Pad

**Notes:**

1. All dimensions are millimeters.
2. Dimensional tolerance is +/- 0.3mm unless otherwise specified.
3. Specifications are subject to change without notice.