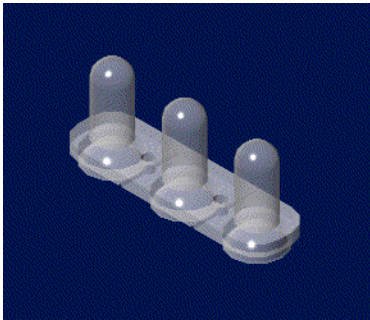
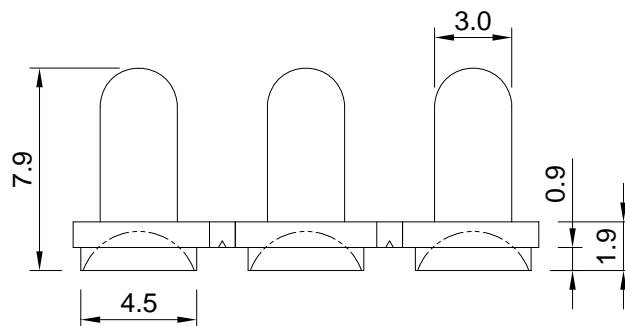
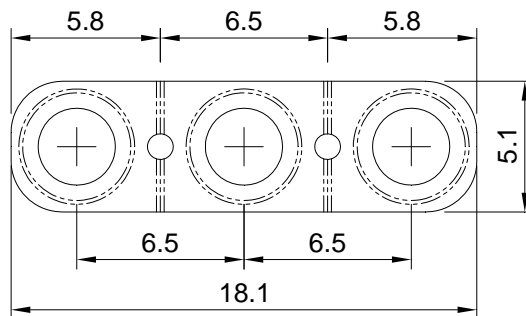


Light Pie Model No: VLP-11



unit: mm



Notes:

1. All dimensions are millimeters.
2. Dimensional tolerance is $\pm 0.2\text{mm}$ unless otherwise specified.
3. Specifications are subject to change without notice.